

Drop-In Drop-in refrigerated quartz surface - 1GN

ITEM # _____

MODEL # _____

NAME # _____

SIS # _____

AIA # _____


341082 (D21C1)

Drop-in refrigerated quartz surface (1 GN container capacity)

Short Form Specification

Item No. _____

Designed to be positioned in flush installation providing improved cleanability and suitable for modern design installations. Designed to serve the food on plates. Food introduced at the correct temperature maintains its core temperature according to Afnor Standards. Automatic defrosting guarantees evaporators clearance and efficient cooling. Digital control with temperature display with precise adjustment (0,1°C). Fully compliant HACCP digital controls include visible alarms. The bottom is equipped with copper tubes to ensure proper cooling, with this system the air touches the cold surface and gets cooled. It comes with stylish white coloured quartz top and stainless steel frame that makes it ideal to serve cold dishes in an elegant way. Equipped with a drain hole to easily discharge top condensation. AISI 304 Stainless steel frame with rounded corners to facilitate cleaning operations. High-density expanded polyurethane foam with cyclopentane guarantees excellent well insulation to reduce energy dispersion. R290 refrigerant gas (GWP=3) to reduce environmental impact and increase cooling efficiency.

Main Features

- CB and CE certified by a third party notified body.
- Designed to be positioned in flush installation providing improved cleanability and suitable for modern design installations.
- Precise temperature control and setting at 0,1°C .
- As standard the product comes with digitally controlled thermostat which is in line of HACCP norms and provides visual alarm as a warning of the increasing or decreasing temperatures.
- Available drop-in dimensions: 1, 2, 3, 4, 5, 6 GN.
- Food introduced at the correct temperature maintains its core temperature according to Afnor Standards.
- Automatic defrosting guarantees evaporators clearance and efficient well cooling.
- Remote version is available.
- Designed to serve the food on plates .
- Equipped with a drain hole to easily discharge top condensation.
- It comes with stylish white coloured quartz top and stainless steel framed that makes it ideal to serve cold dishes in an elegant way.

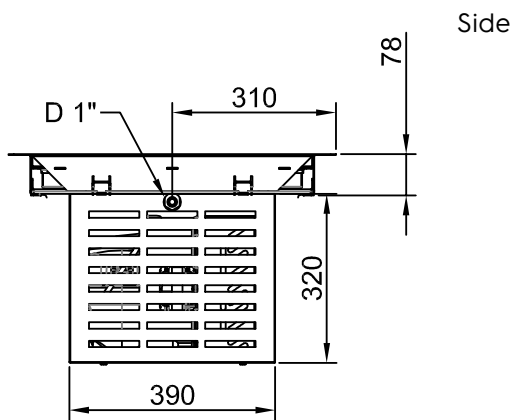
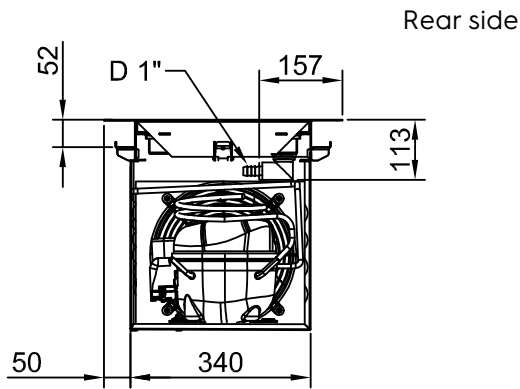
Construction

- Electronic control with temperature display.
- IPx2 water protection.
- The bottom is equipped with copper tubes to ensure proper cooling, with this system the air touches the cold surface and gets cooled.
- AISI 304 Stainless steel frame with rounded corners to facilitate cleaning operations.
- White quartz surface (other quartz colors are available on request).

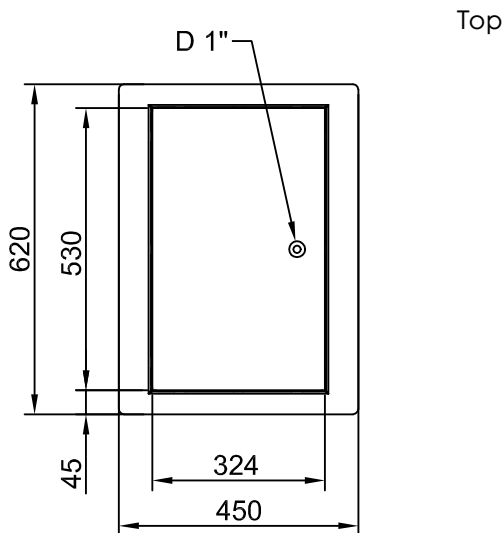
Sustainability

- Hydrocarbon refrigerant gas R290 for the lowest environmental impact (GWP=3) - CFC and HCFC free.
- High-density expanded polyurethane foam with cyclopentane guarantees excellent well insulation to reduce energy dispersion.

APPROVAL: _____



D = Drain
 EI = Electrical inlet (power)



Electric

Supply voltage:
 341082 (D21C1) 220-240 V/1N ph/50 Hz
 Electrical power max.: 0.47 kW

Water:

Water drain outlet size: 1"
 Drain line size: 1"

Key Information:

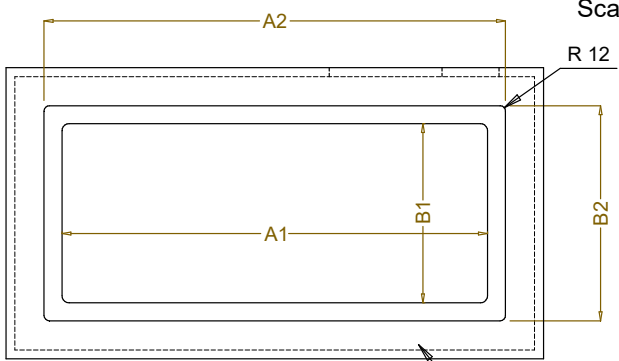
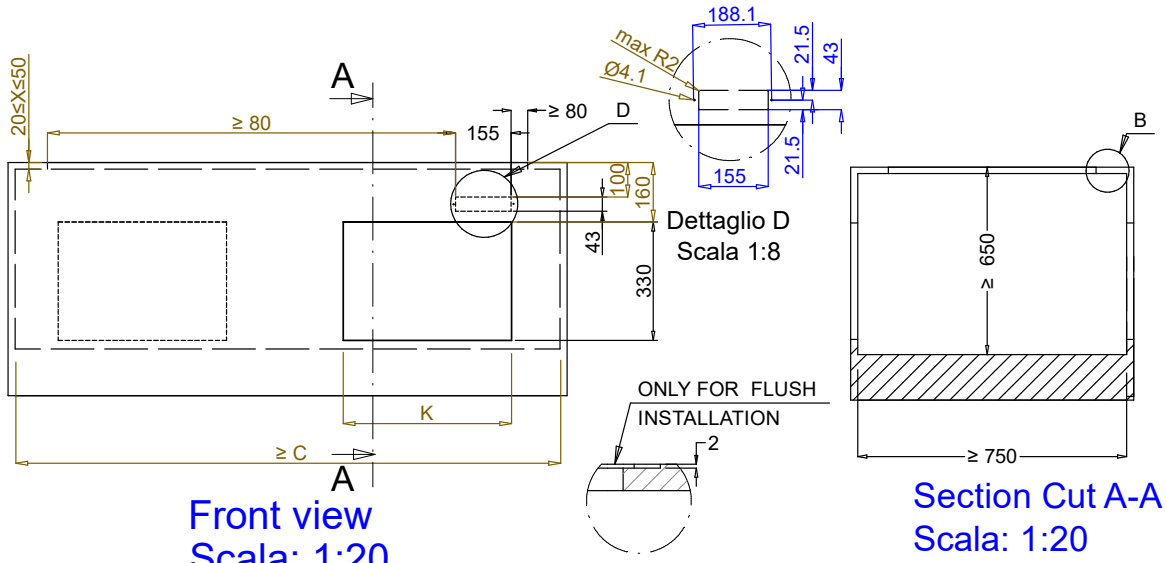
External dimensions, Width: 450 mm
 External dimensions, Depth: 620 mm
 External dimensions, Height: 380 mm
 Net weight: ISO 9001; ISO 14001 kg
 Shipping weight: 52 kg
 Shipping height: 500 mm
 Shipping width: 500 mm
 Shipping depth: 660 mm
 Shipping volume: 0.16 m³
 Set temperature: -10 / 0 °C

Refrigeration Data

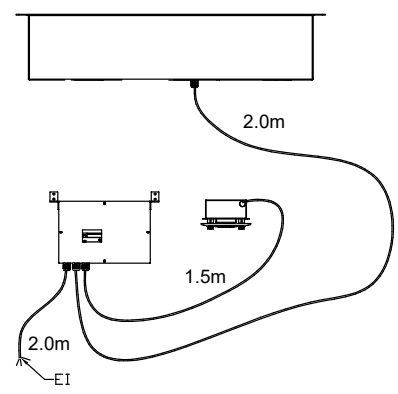
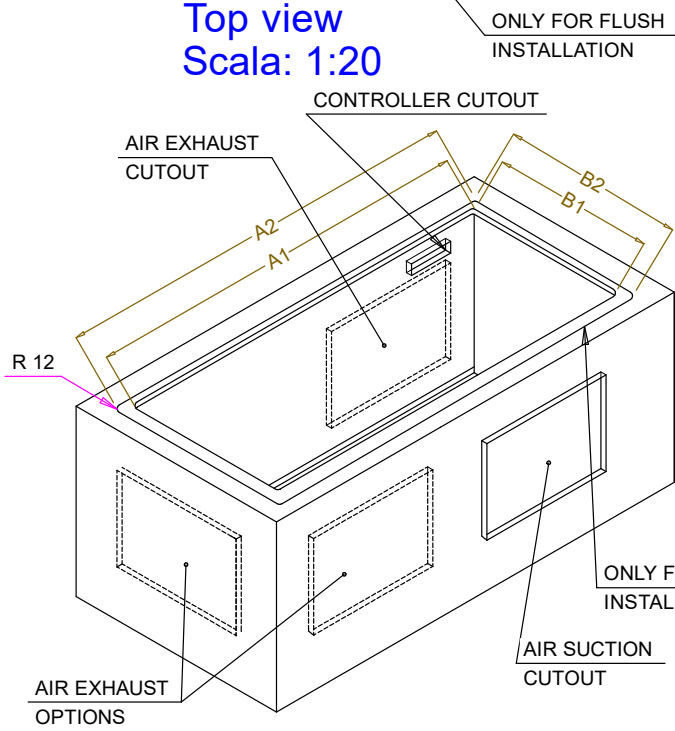
Refrigerant type: R290

Sustainability

Noise level: 59 dBA



CAPACITY	CUTOUT		LOWERING FOR FLUSH INSTALLATION		C	K
	A1	B1	A2	B2		
1GN	355	560	454	624	535	380
2GN	680		774			
3GN	1010		1104			
4GN	1330		1424			
5GN	1660		1744			
6GN	1985		2074			



595T01Q00 - COLD QUARTZ SURFACE